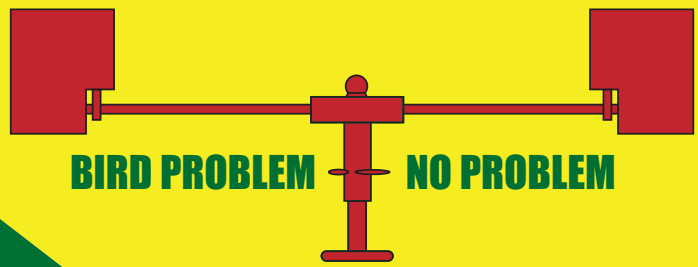


**The No. 1
Bird Deterrent**

Australian Owned & Operated



To be effective, the BIRD BUSTA bird deterrent must be fitted in an area that has at least a slight breeze and must be fitted horizontal to the ground and not on an angle.

INSTRUCTIONS:

Step 1: Loosen clamp screw (4) anti-clockwise half a turn.

Step 2: Extend arms (2) to required or maximum length (arms should be equi-distant).

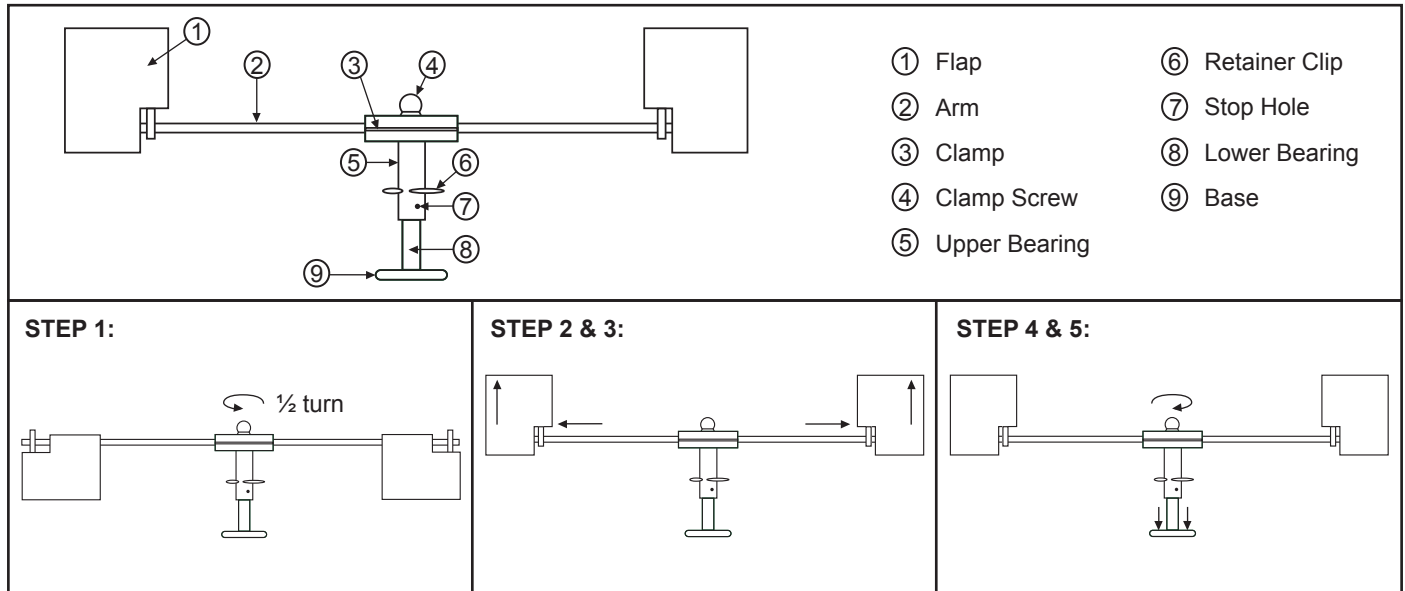
Step 3: Twist arms (2) so that flaps (1) are in upright vertical position.

Step 4: Tighten clamp screw (4) clockwise (firmly).

Step 5: Use holes in base (9) to secure by screws or clamp (not included) -

IMPORTANT: DO NOT remove arms (2) from clamp (3). Should this occur, arms (2) may be replaced in an inverted position.

EXTRA FEATURES: Retainer clip (6) reduces the possibility of the upper bearing (5) separating from the lower bearing (8) in strong winds, clip (6) must be in position before unit is operating. Should you need to stop the unit, simply remove clip (6) and insert into stop hole (7), be sure to return retainer clip (6) to original position before operating. To remove the entire assembly from the base (9) simply turn the lower bearing (8) clockwise (a quarter turn) and pull out. To replace, push the lower bearing (8) back in position and twist anti-clockwise until it locks into place, this feature is available on bayonet base model only. For application on a structure taller than a single storey home or for commercial use, it is recommended to use the BIRD BUSTA solid base series.



WARNING: This device is NOT a toy and is unsuitable for children. Due to the various applications for the BIRD BUSTA, fittings, brackets or clamps, etc are not supplied. Bird Busta (Aust) suggests that a suitable fitting, bracket or clamp etc be used to mount this device in an area that is unlikely to cause damage to property or injury to a person and should be fitted/mounted by a person with the required skills to do so.