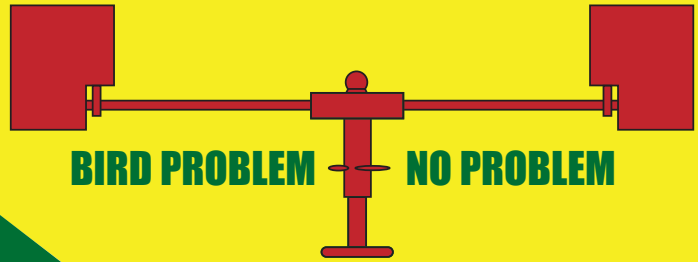


**The No. 1
Bird Deterrent**

Australian Owned & Operated



Congratulations on purchasing the patented, wind assisted BIRD BUSTA rotating bird deterrent. The BIRD BUSTA bird deterrent is environmentally friendly, fully recyclable, UV stabilized and when fitted correctly will last for many years. The BIRD BUSTA bird deterrent offers a simple solution to bird related problems such as excrement and noise on and around boats, pontoons, decks, pools, jetties, roofs, antennas, clothes lines and many other applications. Due to the erratic movement and glistening effect of the BIRD BUSTA bird deterrent it will deter most species from any area in which it is placed. To be effective, the BIRD BUSTA bird deterrent must be fitted in an area that has at least a slight breeze and must be fitted horizontal to the ground and not on an angle.

INSTRUCTIONS:

Step 1: Loosen clamp screw ④ anti-clockwise half a turn.

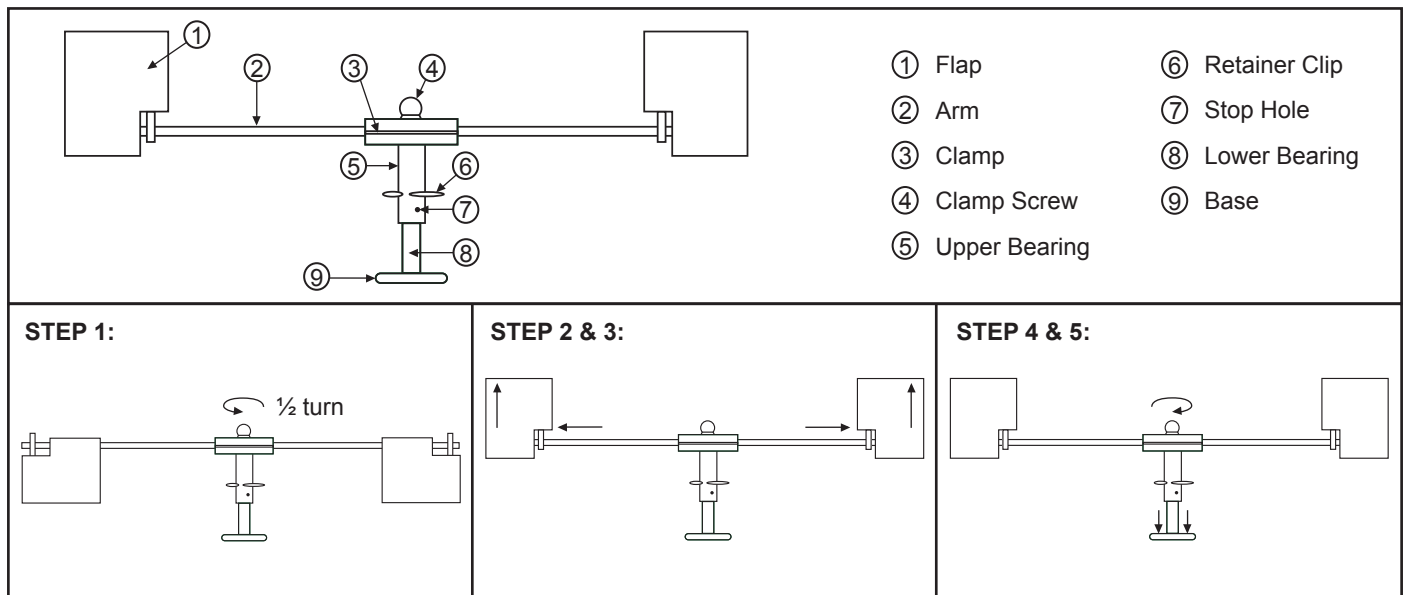
Step 2: Extend arms ② to required or maximum length (arms should be equi-distant).

Step 3: Twist arms ② so that flaps ① are in upright vertical position.

Step 4: Tighten clamp screw ④ clockwise (firmly).

Step 5: Use holes in base ⑨ to secure by screws or clamp (not included).

IMPORTANT: DO NOT remove arms ② from clamp ③. Should this occur, arms ② may be replaced in an inverted position.



WARNING: This device is NOT a toy and is unsuitable for children. Due to the various applications for the BIRD BUSTA, fittings, brackets or clamps, etc are not supplied. Bird Busta (Aust) suggests that a suitable fitting, bracket or clamp etc be used to mount this device in an area that is unlikely to cause damage to property or injury to a person and should be fitted/mounted by a person with the required skills to do so.

COMMERCIAL WARRANTY: *This warranty refers to BIRD BUSTA bird deterrent fitted with SB (solid base)

Bird Busta (Aust) warrants this product against faulty manufacturing, parts or workmanship for a period of 24 months from the date of purchase. If a defect arises during the warranty period, please contact Bird Busta (Aust) at www.birdbusta.net. The BIRD BUSTA SB (solid base) series should be for commercial use.

The warranty does not cover damage caused by cyclones, tornadoes, hurricanes, tsunamis, lightning strikes, hail, collision, extreme temperatures (above 50°C or below -5°C), accidental or intentional damage caused by a third party, winds above 45 knots (83.33 km/hr) #weather conditions determined by the appropriate authorities in an area which a BIRD BUSTA deterrent is fitted/ mounted at the time of defect.

The warranty does not cover the misuse or poor fitting of the product and should only be used for deterring birds.